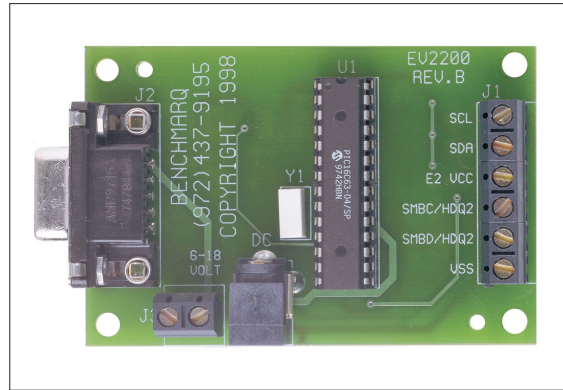


# PC Interface Board for Gas Gauge Evaluation

## Features

- ▶ Development system for HDQ (bq2013H, bq2018, and bq2050H) and SMBus (bq2040, bq2060, bq2092, bq2945) gas gauge ICs
- ▶ Provides interface between intelligent battery and Windows-based PC
- ▶ Connects to the serial communications port of a PC
- ▶ On screen display and programming of gas gauge register functions
- ▶ Programs EEPROM and calibrates current, temperature and voltage in bq2040, bq2092, and bq2945 based packs



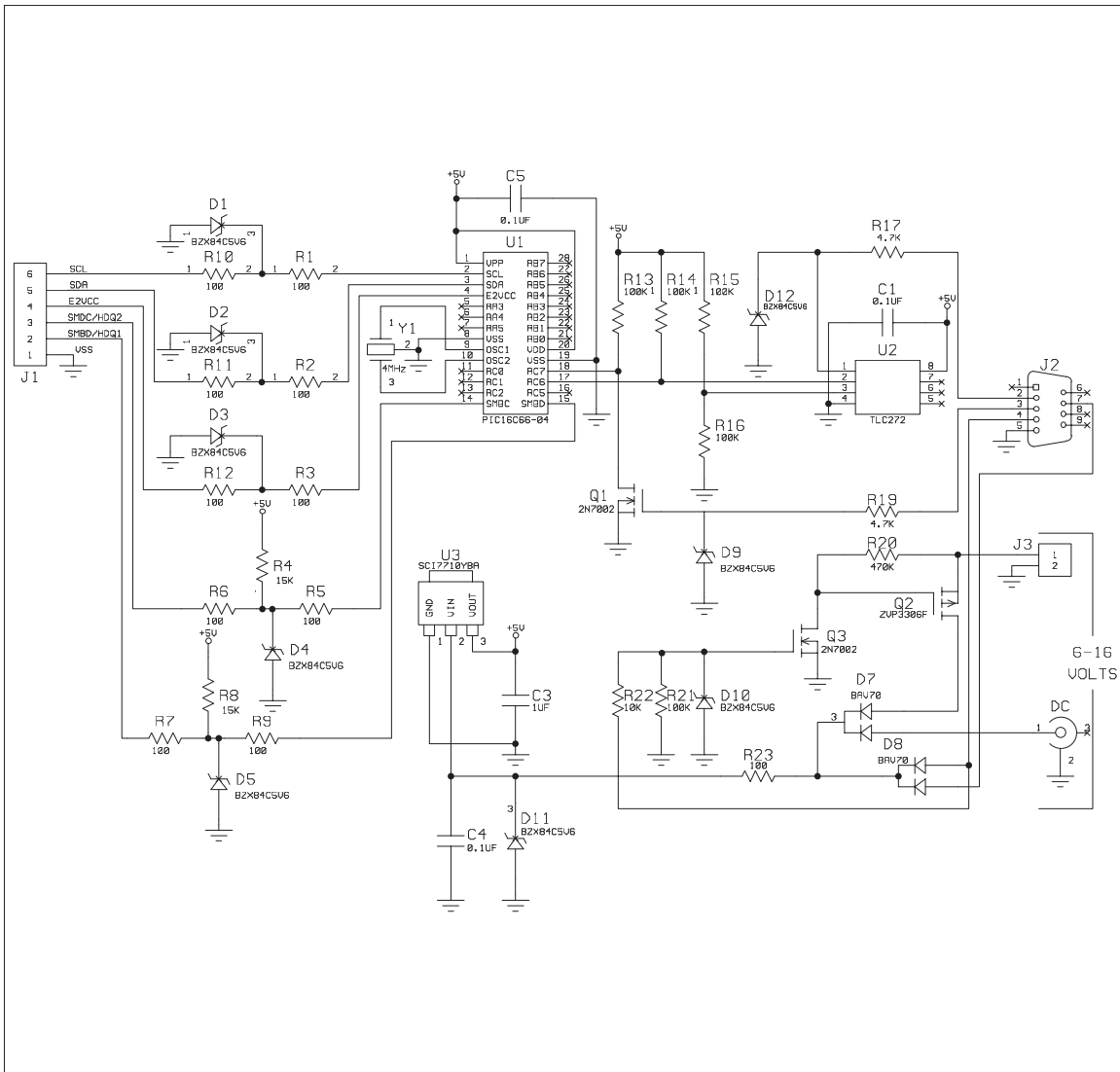
## General Description

The EV2200 provides a development and evaluation environment for HDQ based and SMBus based gas gauge ICs. The EV2200 provides connections for the communication lines of an intelligent battery and a serial interface port of a Windows-based PC. With the EV2200, the user can read/write the gas gauge registers of each IC and monitor the battery's status. In the SBS SMBus environment, the interface board and software allow the battery pack designer to evaluate the function of the ICs, calibrate the intelligent battery circuit for current, temperature, and voltage measurements, and program the external EEPROM. The evaluation system includes the interface board, DC power supply, and PC software.

Please specify the desired software to be included with the EV2200 evaluation board as shown below:

Gas Gauge IC	Part Number
bq2013H	EV2200-13H
bq2018	EV2200-18
bq2040	EV2200-40
bq2050H	EV2200-50H
bq2060	EV2200-60
bq2092	EV2200-92
bq2945	EV2200-45

## EV2200 Board Schematic



Rev. C Board

## IMPORTANT NOTICE

Texas Instruments and its subsidiaries (TI) reserve the right to make changes to their products or to discontinue any product or service without notice, and advise customers to obtain the latest version of relevant information to verify, before placing orders, that information being relied on is current and complete. All products are sold subject to the terms and conditions of sale supplied at the time of order acknowledgement, including those pertaining to warranty, patent infringement, and limitation of liability.

TI warrants performance of its semiconductor products to the specifications applicable at the time of sale in accordance with TI's standard warranty. Testing and other quality control techniques are utilized to the extent TI deems necessary to support this warranty. Specific testing of all parameters of each device is not necessarily performed, except those mandated by government requirements.

CERTAIN APPLICATIONS USING SEMICONDUCTOR PRODUCTS MAY INVOLVE POTENTIAL RISKS OF DEATH, PERSONAL INJURY, OR SEVERE PROPERTY OR ENVIRONMENTAL DAMAGE ("CRITICAL APPLICATIONS"). TI SEMICONDUCTOR PRODUCTS ARE NOT DESIGNED, AUTHORIZED, OR WARRANTED TO BE SUITABLE FOR USE IN LIFE-SUPPORT DEVICES OR SYSTEMS OR OTHER CRITICAL APPLICATIONS. INCLUSION OF TI PRODUCTS IN SUCH APPLICATIONS IS UNDERSTOOD TO BE FULLY AT THE CUSTOMER'S RISK.

In order to minimize risks associated with the customer's applications, adequate design and operating safeguards must be provided by the customer to minimize inherent or procedural hazards.

TI assumes no liability for applications assistance or customer product design. TI does not warrant or represent that any license, either express or implied, is granted under any patent right, copyright, mask work right, or other intellectual property right of TI covering or relating to any combination, machine, or process in which such semiconductor products or services might be or are used. TI's publication of information regarding any third party's products or services does not constitute TI's approval, warranty or endorsement thereof.